

# MUSEUM STORAGE

## & SPECIAL COLLECTIONS GUIDE BOOK

PROTECT.  
PRESERVE.





# TABLE OF CONTENTS

Directory of Terms	4
Major Installations	5
<b>Museum Grade Cabinets</b>	
Double Door	6
Double Door - Hanging Rod Illustrated	7
Double Door - Glass	8
Double Door - 1/2 Height	9
Double Door - 1/2 Height, Glass	10
Single Door - 1/4 Cabinet	11
Single Door - 1/4 Cabinet, Glass	12
Weapons Racks	13
<b>Flat Files</b>	15
<b>Pallet Rack Unit</b>	17
<b>Clip Type</b>	18
<b>Rolled Textile / Long Item Storage Rack Units</b>	19
<b>Flexibility in Museums</b>	
Rolled Textile Drawers	20
Textile Cantilever	21
Other Creative Solutions	22
Saddle Storage	23
Herbarium Cabinet	24
Oversize Storage on Mobile	25
Pullout Storage on Mobile	26
Hang-Glider Pro	27
Lateral Art Rack	28
Bin Storage	29
Rolled Map / Drawing Bins	30
Tanks & Shelf for Tanks	31
4-Post Tray	32
Tray Rack	33
Hanging Garment	34
Perforated Shelves	35
Sliding Glass Doors	36
<b>Project Photo Gallery</b>	37

# DIRECTORY OF TERMS



Anthropology & Paleontology



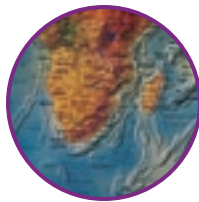
Archaeology



Archival Storage



Artifacts



Cartography



Entomology



Ethnology



Geoscience



Herbarium



Herpetology



Ichthyology



Mammalogy



Manuscripts



Ornithology

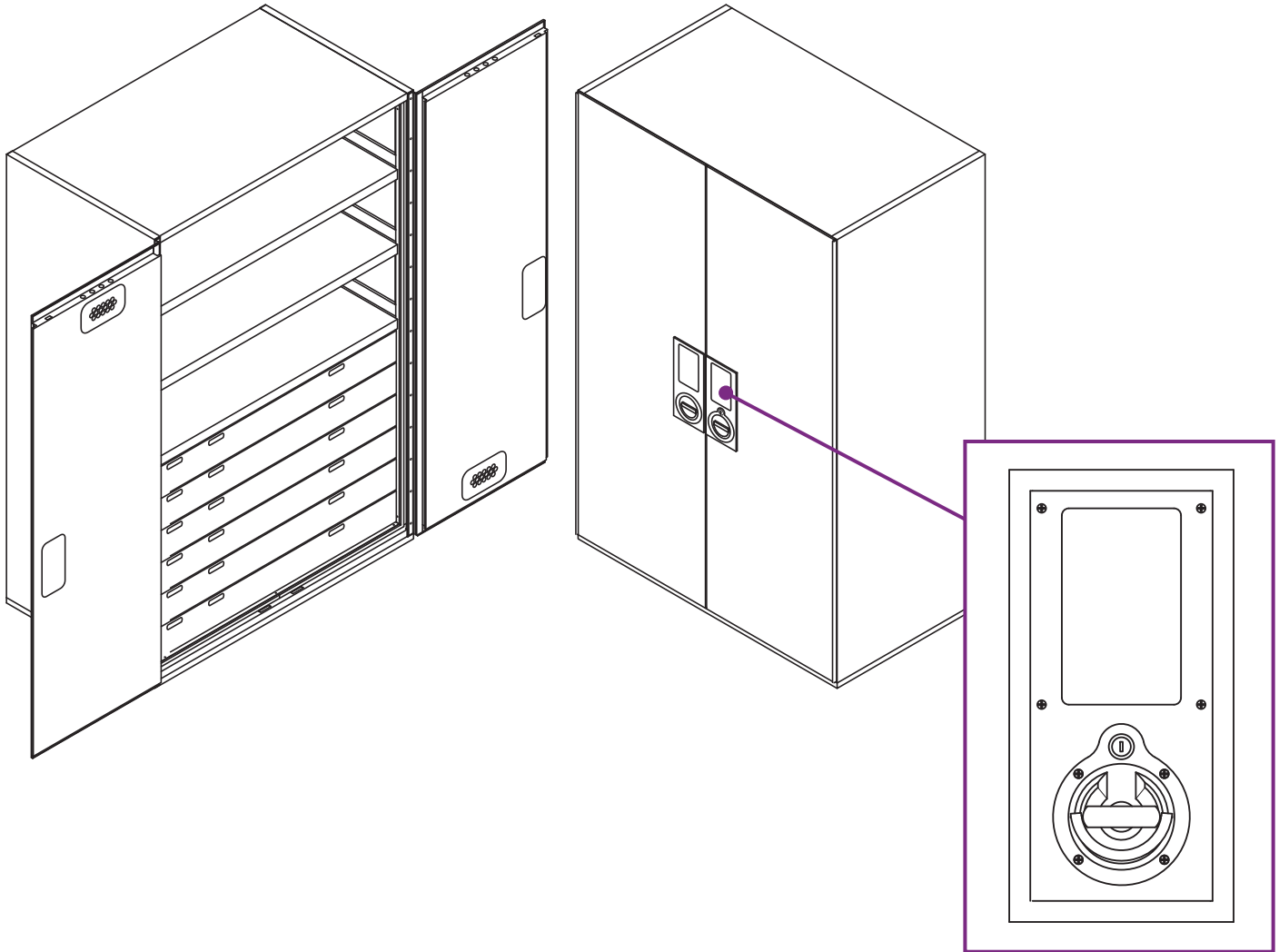


Textiles

# MAJOR INSTALLATIONS

California Academy of Sciences	San Francisco, CA
Asian Art Museum	San Francisco, CA
Indiana State Museum	Indianapolis, IN
Yale University Environmental Sciences Facility	New Haven, CT
Albany Institute of History & Art	Albany, NY
Smith College Fine Arts	Northampton, MA
deYoung Museum	San Francisco, CA
Glenbow Museum	Calgary, Alberta, CANADA
Canadian War Museum	Ottawa, Ontario, CANADA
The Field Museum	Chicago, IL
Amon Carter Museum	Fort Worth, TX
Mashantucket Pequot Museum	Mashantucket, CT
U.S. Army Heritage & Education Center	Carlisle, PA
Smithsonian Institute	Washington D.C.
State of Pennsylvania Rare Books/Archives	Harrisburg, PA

# DOUBLE DOOR CABINETS



58" W x 79" H x 32" D | Double Steel Doors | Height includes 2-1/2" High Base

## Applications:

- 3-D Object / Artifact Storage
- Ethnographic Storage
- Flat Textile Storage
- Rolled Textile Storage
- Art, Historical and Natural History Museums

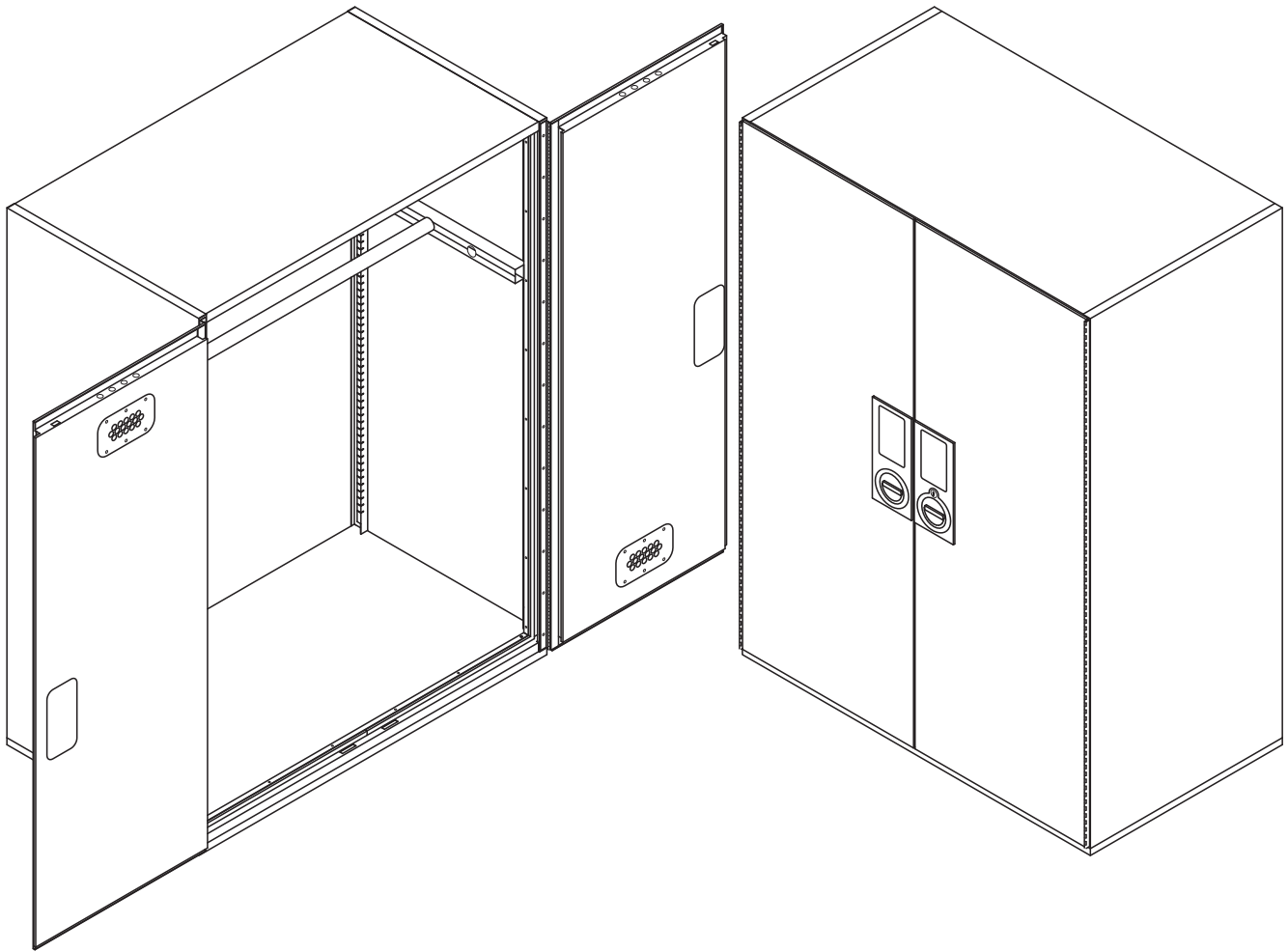
*Custom sizes available*

## Cabinet illustrated to contain:

- 1 - Full width drawer, 5-3/4" high with extension suspensions  
Drawer I.D. : 52-1/2" W x 5-3/8" H x 27-5/8" D
- 2 - Full width drawers, 3-3/4" high with extension suspensions  
Drawer I.D. : 52-1/2" W x 3-3/8" H x 27-5/8" D
- 4 - Full width drawers, 2-3/4" high with extension suspensions  
Drawer I.D. : 52-1/2" W x 2-3/8" H x 27-5/8" D
- 2 - Full width shelves  
Shelf I.D. : 54" W x 29" D

# DOUBLE DOOR CABINETS

## HANGING ROD



58" W x 79" H x 32" D | Double Steel Doors | Height includes 2-1/2" High Base

### Applications:

- Hanging Textile Storage
- Art and Historical Museums

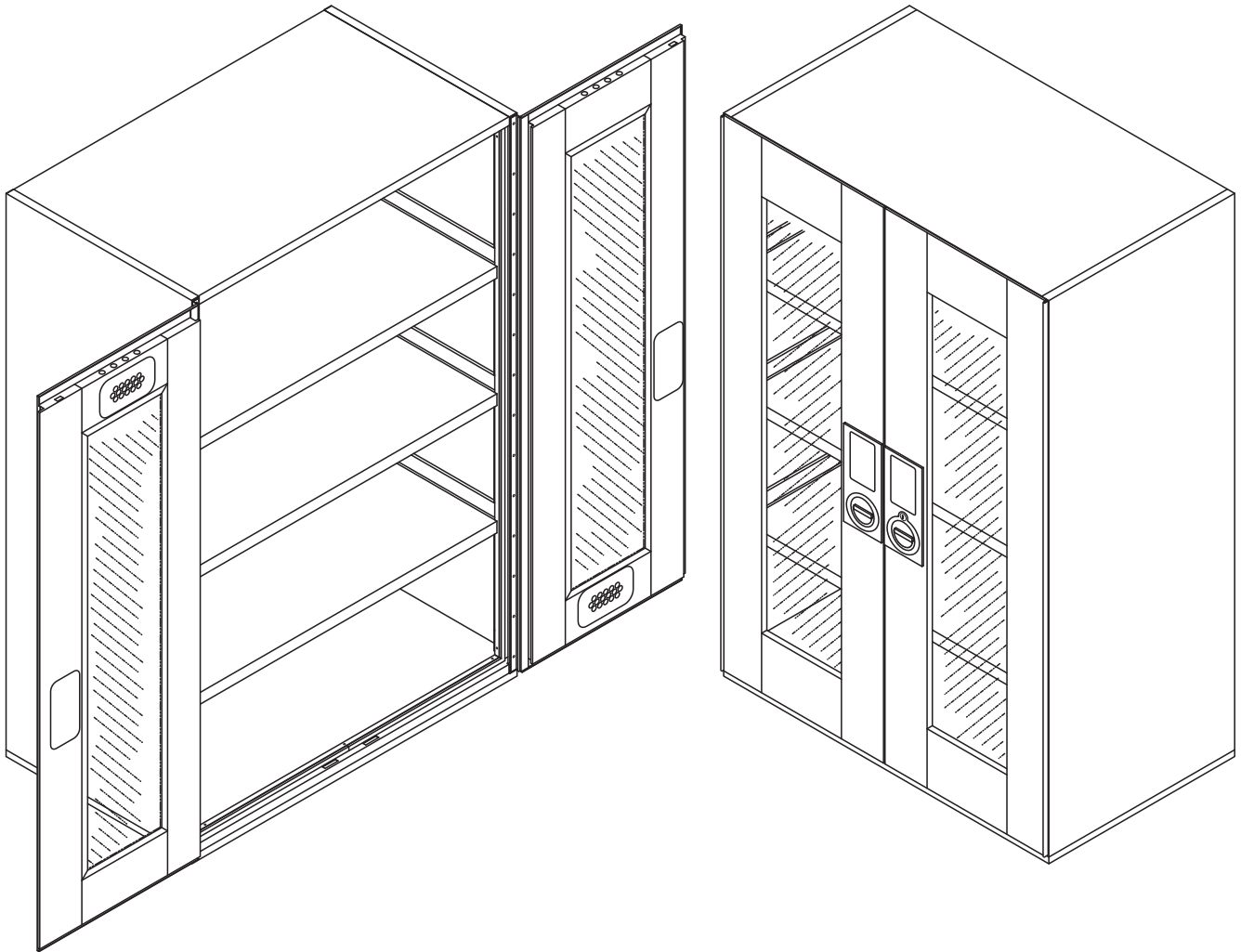
*Custom sizes available*

### Cabinet illustrated to contain:

- 1 - Full width adjustable hanger rod

# DOUBLE DOOR CABINETS

## GLASS DOORS



58" W x 79" H x 32" D | Double Glass Doors | Height includes 2-1/2" High Base

### Applications:

- 3-D Object / Artifact Storage
- Art, Historical and Natural History Museums

*Custom sizes available*

### Cabinet illustrated to contain:

- 3 - Full width shelves
- Shelf I.D. : 54" W x 29" D

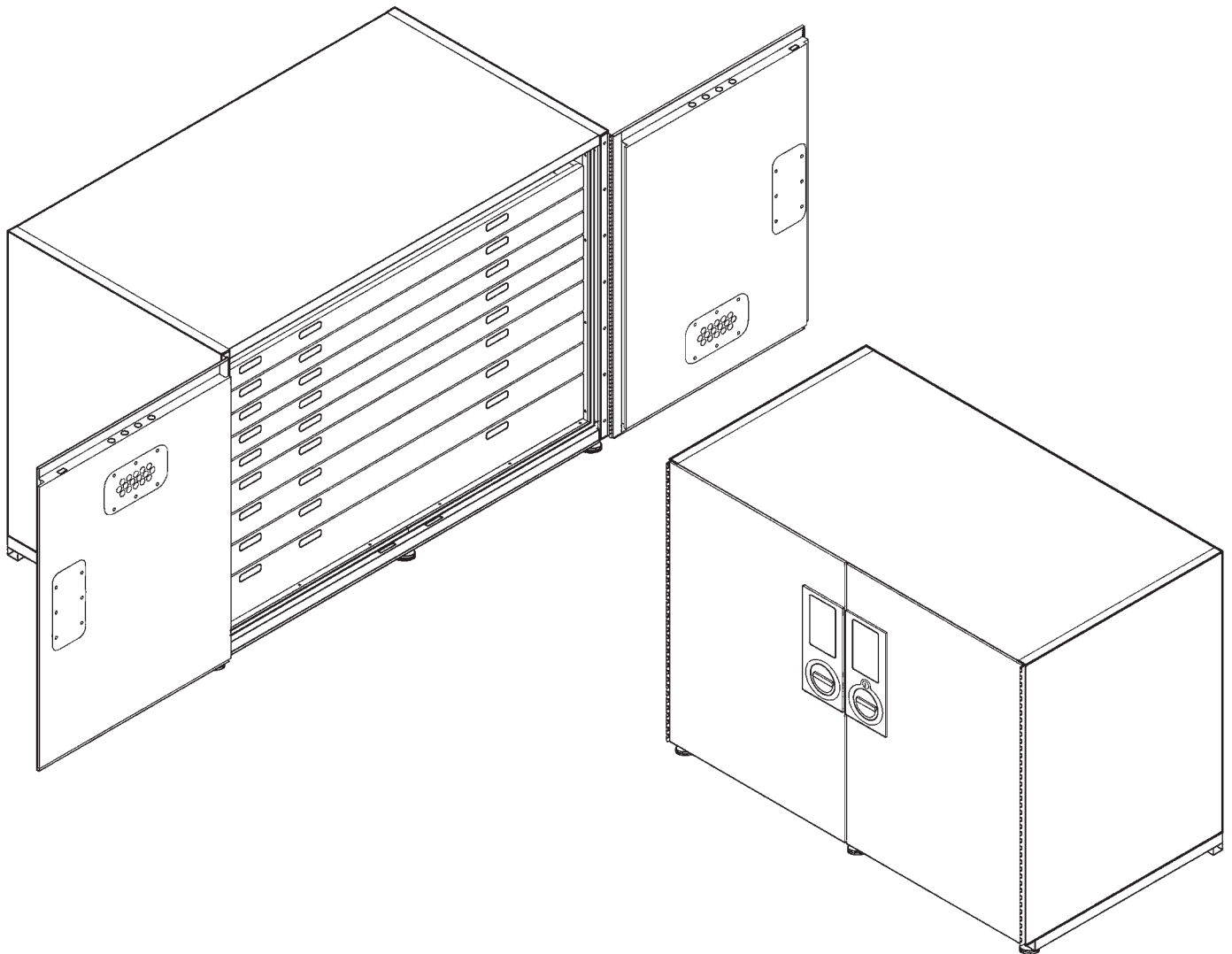
### Note:

Bottom of cabinet to be used as a shelf.



# DOUBLE DOOR CABINETS

## 1/2 HEIGHT



58" W x 42" H x 32" D | Double Steel Doors | Height includes 2-1/2" High Base

### Applications:

- 3-D Object / Artifact Storage
- Flat Textile Storage
- Rolled Textile Storage
- Art, Historical and Natural History Museums

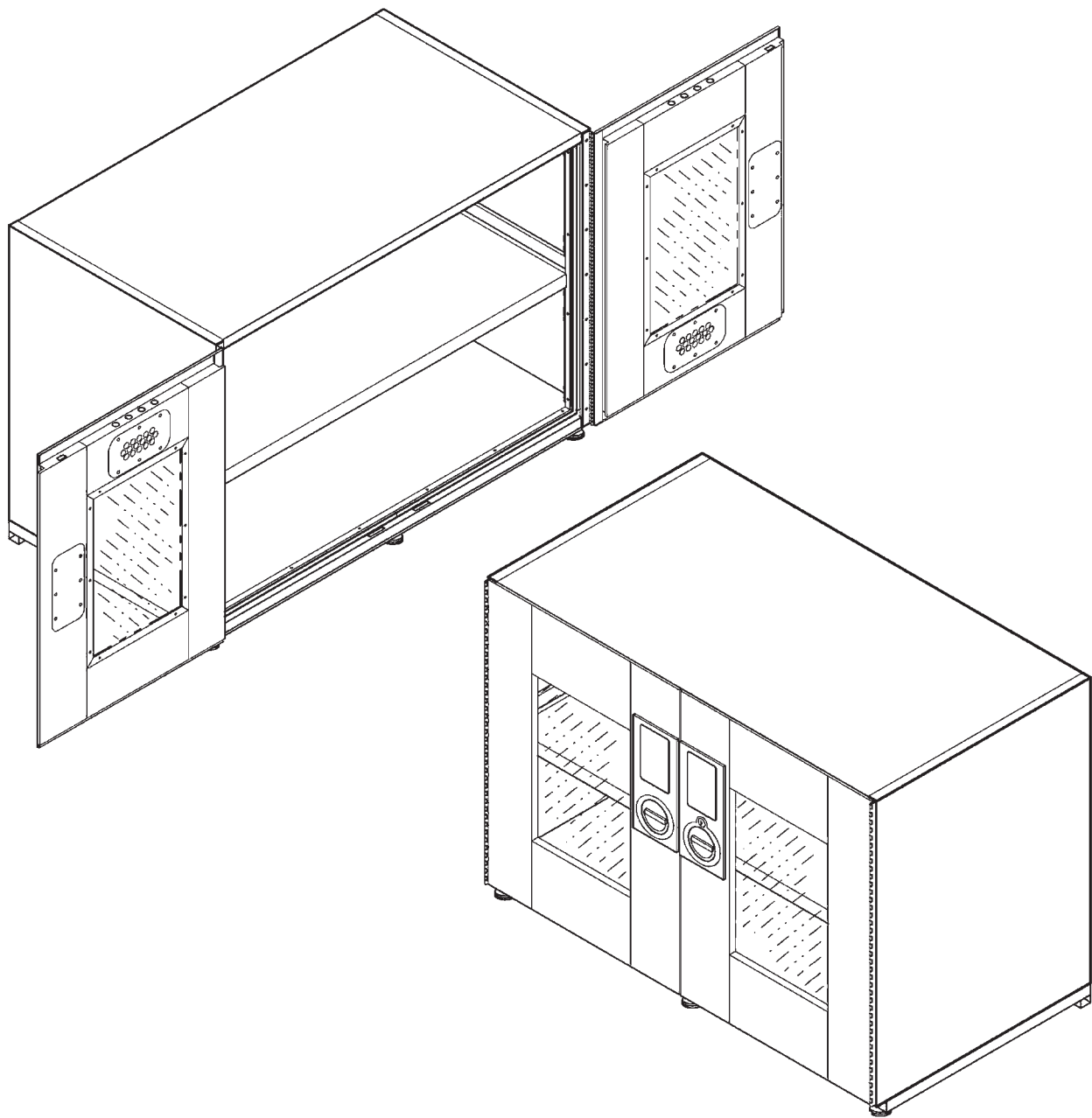
*Custom sizes available*

### Cabinet illustrated to contain:

- 1 - Full width drawer, 5-3/4" high with extension suspensions  
Drawer I.D. : 52-1/2" W x 5-3/8" H x 27-5/8" D
  - 3 - Full width drawers, 3-3/4" high with extension suspensions  
Drawer I.D. : 52-1/2" W x 3-3/8" H x 27-5/8" D
  - 5 - Full width drawers, 2-3/4" high with extension suspensions  
Drawer I.D. : 52-1/2" W x 2-3/8" H x 27-5/8" D
- Drawer extension: 28"

# DOUBLE DOOR CABINETS

## 1/2 HEIGHT GLASS DOORS



58" W x 42" H x 32" D | Double Glass Doors | Height includes 2-1/2" High Base

### Applications:

- 3-D Object / Artifact Storage
- Art, Historical and Natural History Museums

*Custom sizes available*

### Cabinet illustrated to contain:

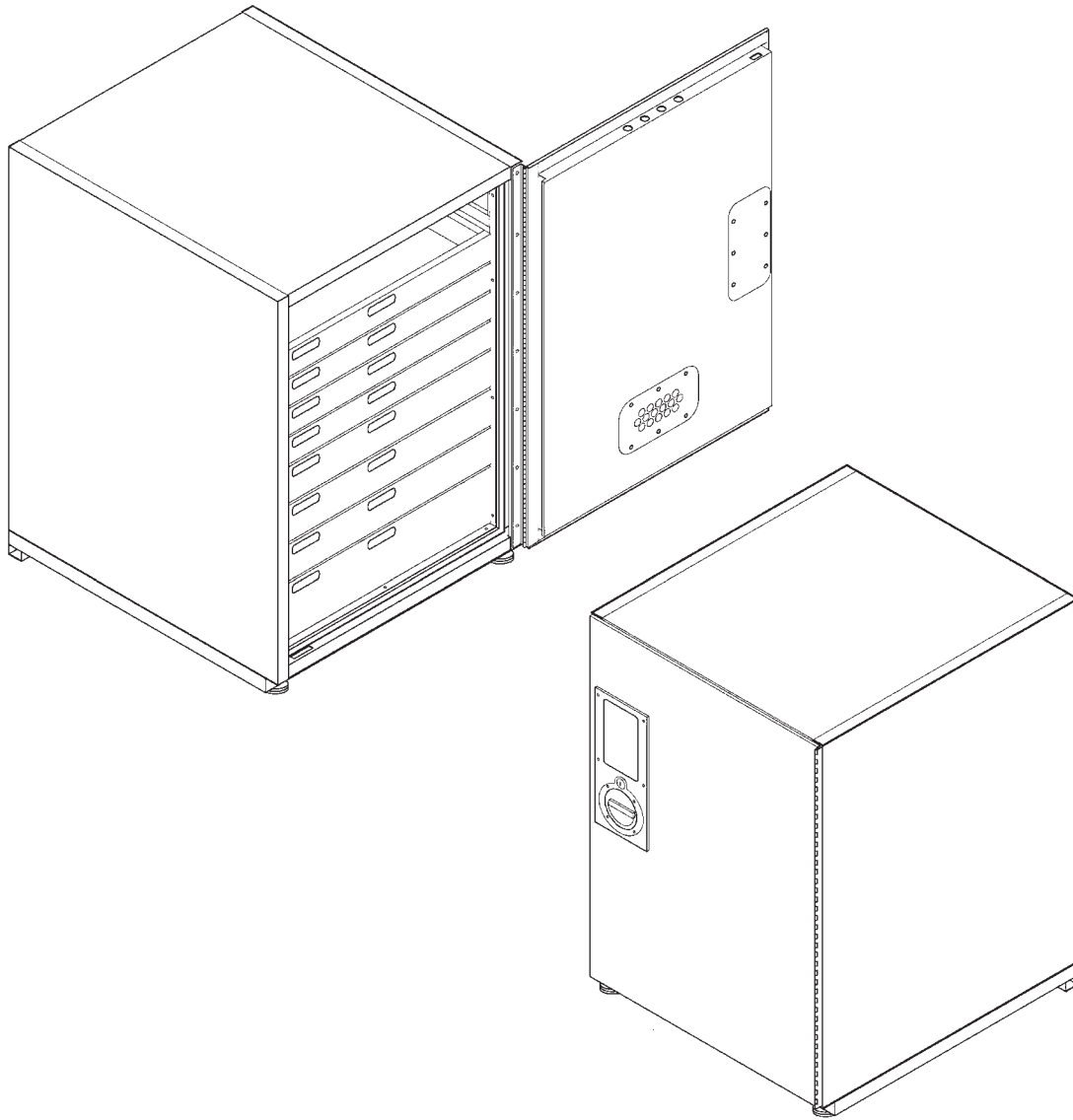
- 1 - Full width shelf  
Shelf I.D. : 54" W x 29" D

### Note:

Bottom of cabinet to be used as a shelf.

# SINGLE DOOR CABINETS

## 1/4 CABINET



30" W x 42" H x 32" D | Single Steel Door | Height includes 2-1/2" High Base

### Applications:

- 3-D Object / Artifact Storage
- Art, Historical and Natural History Museums

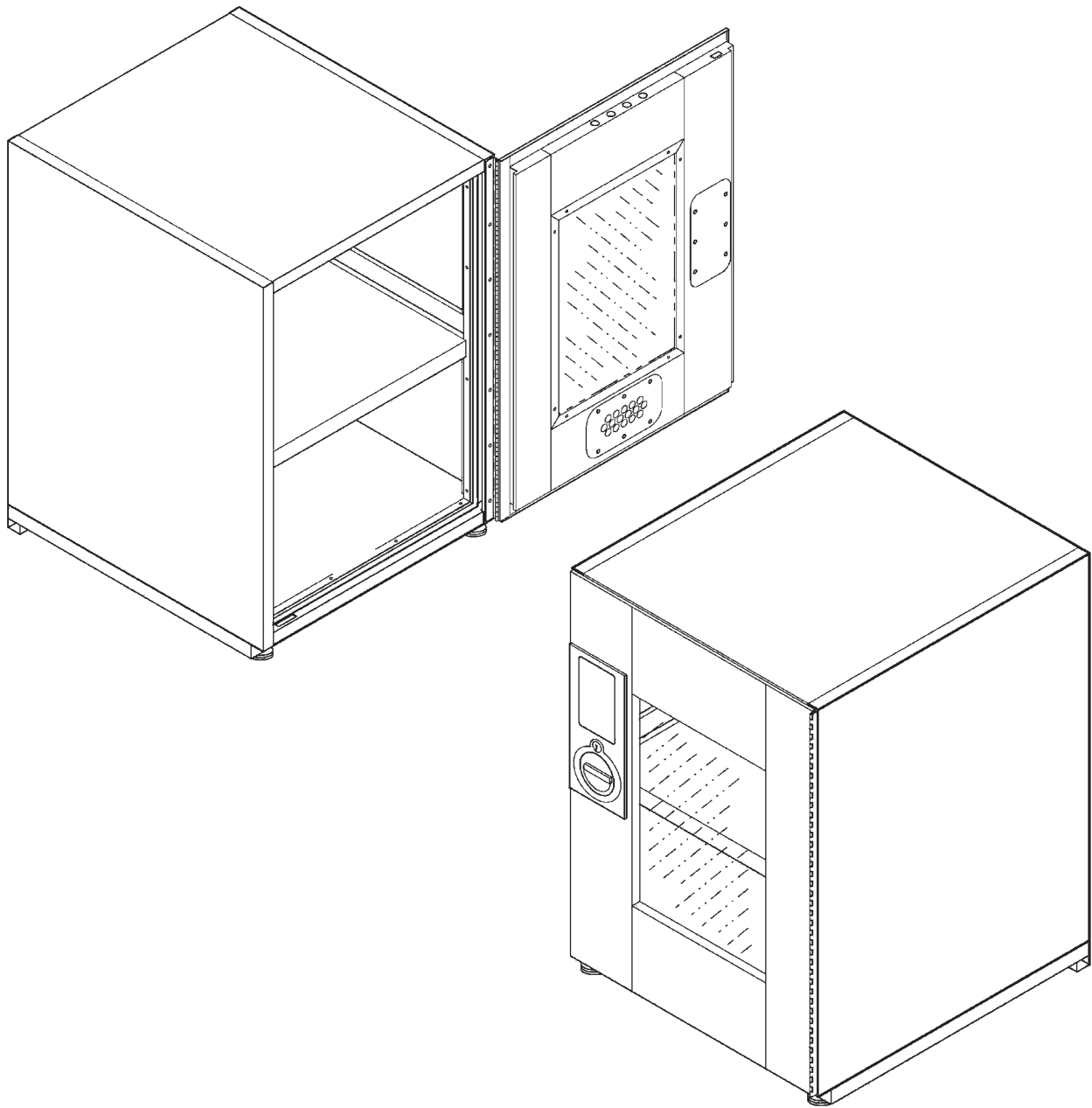
### Cabinet illustrated to contain:

- 1 - Full width drawer, 5-3/4" high with extension suspensions  
Drawer I.D. : 24-1/2" W x 5-3/4" H x 27-5/8" D
- 3 - Full width drawers, 3-3/4" high with extension suspensions  
Drawer I.D. : 24-1/2" W x 3-3/4" H x 27-5/8" D
- 4 - Full width drawers, 2-3/4" high with extension suspensions  
Drawer I.D. : 24-1/2" W x 2-3/4" H x 27-5/8" D

*Custom sizes available*

# SINGLE DOOR CABINETS

## 1/4 CABINET GLASS DOOR



30" W x 42" H x 32" D | Single Glass Door | Height includes 2-1/2" High Base

### Applications:

- 3-D Object / Artifact Storage
- Art, Historical and Natural History Museums

*Custom sizes available*

### Cabinet illustrated to contain:

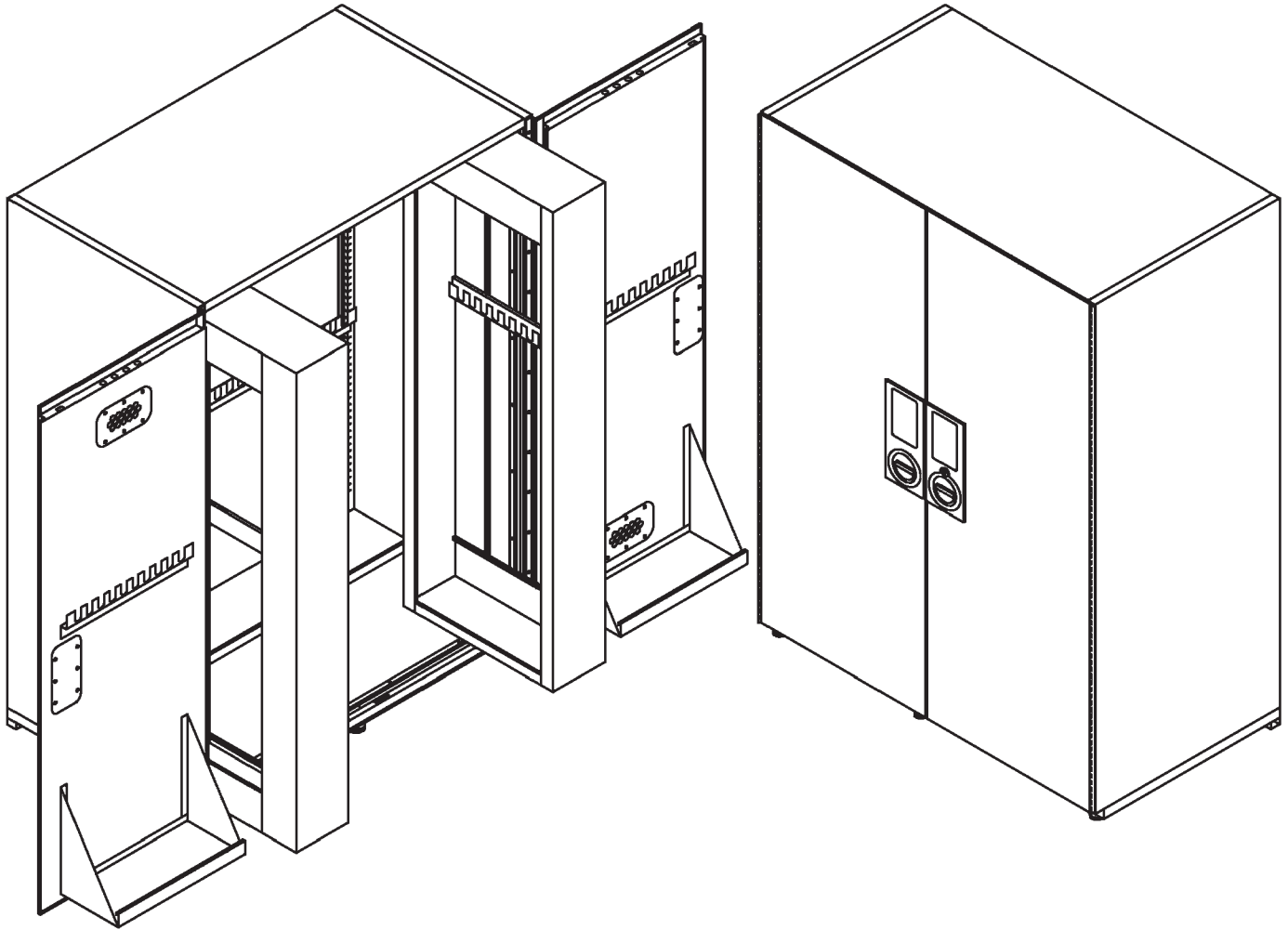
- 1 - Full width shelf  
Shelf I.D. : 24-1/2" W x 29" D

### Note:

Bottom of cabinet to be used as a shelf.

# CABINETS

## CUSTOM WEAPONS



### Weapons Racks

Applications:

- Weapons (Long Gun) Storage

*Custom sizes available*

# DDLX SERIES CABINETS

## OVERVIEW

### Storage:

3-D Objects  
Flat Textiles  
Hanging Textiles  
Small Rolled Textiles

### Standard Sizes:

**Model DDLX:**  
58" W x 79" H x 32" D  
Double Steel Door

**Model DDLX-G:**  
58" W x 79" H x 32" D  
Double Glass Door

**Model DDLX-1/2H:**  
58" W x 42" H x 32" D  
Double Steel Door

**Model DDLX-1/2H(G):**  
58" W x 42" H x 32" D  
Double Glass Door

**Model DDLX1/4:**  
30" W x 42" H x 32" D  
Single Steel Door

**Model DDLX1/4(G):**  
30" W x 42" H x 32" D  
Single Glass Door

### Notes:

To provide quotation, quantity and drawer/shelf configuration required.

Custom size cabinets available.

Cabinet size, quantity and drawer/shelf configuration required.

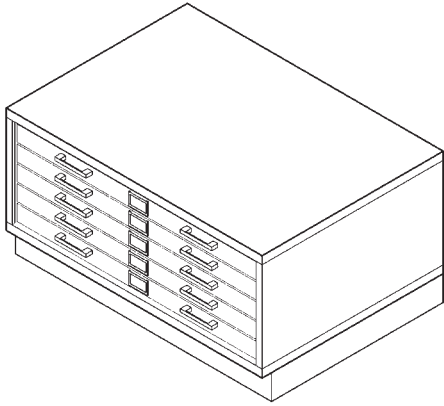
### Accessories:

- a) Full width drawers with extension suspensions
- b) Half width drawers with extension suspensions
- c) Full width drawers with metal glides
- d) Half width drawers with metal glides
- e) Full width shelves
- f) Half width shelves
- g) Pull out shelves with extension suspensions
- h) Full width hanger rod
- i) Roll storage rack with extension suspensions
- j) Weapons insert

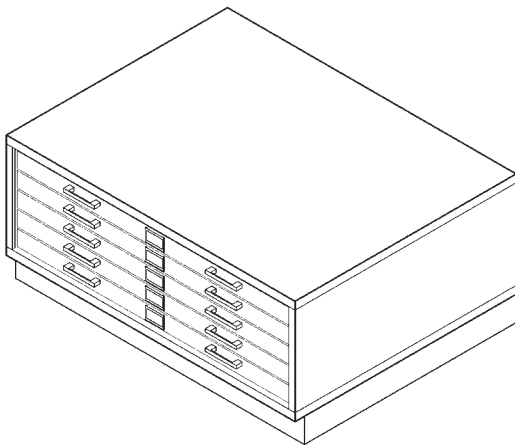
### Features:

- a) Heavy-duty extension suspensions
- b) Powder coat finish
- c) Any Spacesaver color
- d) Silicone gasket
- e) Flush locking hardware
- f) Drawers and shelves adjustable on 1" centers vertically
- g) Cabinet to have charcoal filter vent for passive air filtration
- h) Base to have levelers all 4 corners.
- i) DDLX-G, DDLX-1/2H(G), and DDLX1/4(G) door to contain 1/4" laminated safety glass

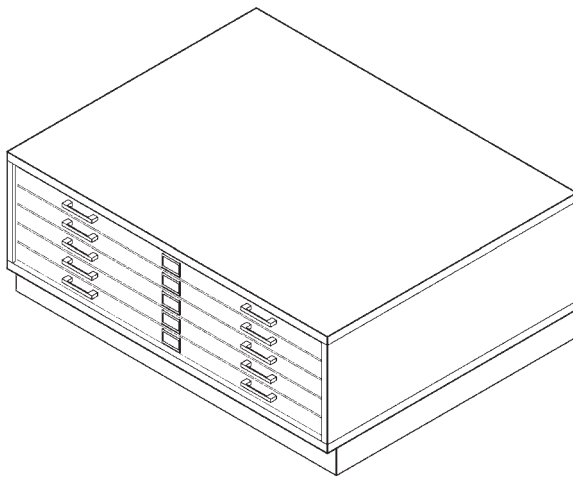
# FLAT FILES



Flat File — 5 Drawer



Flat File — 5 Drawer



Flat File — 5 Drawer

## Applications:

- Works on Paper — Flat
- Drawings
- Photos
- Maps

*Custom sizes available*

# FLAT FILES

## OVERVIEW

### Storage:

Flat Files

### Standard Sizes:

41" W x 17" H x 29" D

47" W x 17" H x 36" D

54" W x 17" H x 42" D

### Notes:

Oversize and custom flat files available.

To provide a quotation the drawer ID (WxHxD) and quantity of drawers required.

Flat files up to 120" W x 60" D can be manufactured.

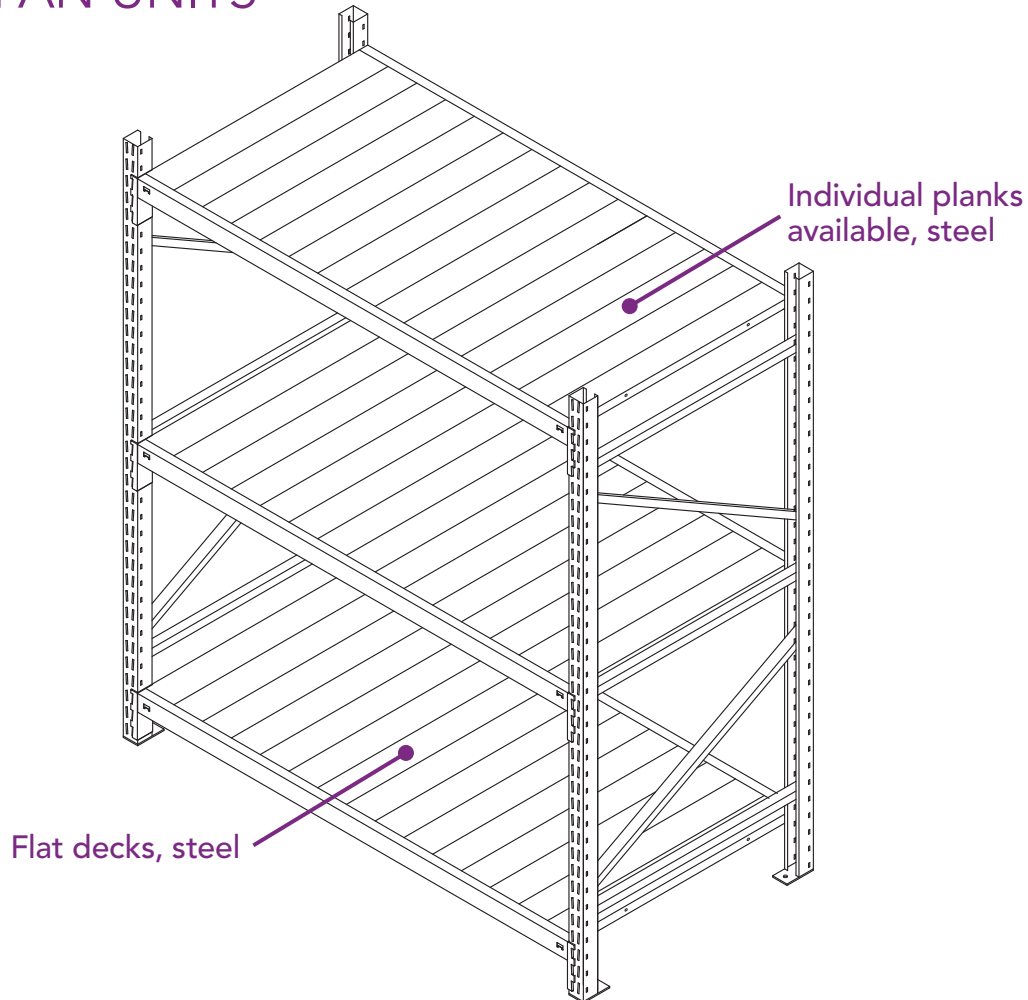
### Features:

- a) 5 Drawer
- b) Heavy-duty steel construction
- c) Powder coat finish
- d) Any Spacesaver color
- e) Drawers glide via telescopic ball bearing extension suspensions
- f) Drawers to have reinforcement channels spot welded to the underneath side to prevent deflection
- g) Drawers to have two chrome handles, label holder, inhead, and rear hood
- h) Inside front depressors available upon request
- i) Inside muslin covers available upon request



# MUSEUM GRADE PALLET RACK

## WIDE SPAN UNITS



### Storage:

Oversize Objects

### Standard Sizes:

Up to 144" W x 192" H x 60" D

### Notes:

Each pallet rack upright requires an additional 3-1/4" of horizontal width.

To provide quotation Pallet Rack OD (WxHxD) and quantity of shelf levels required.

*Custom sizes available*

### Features:

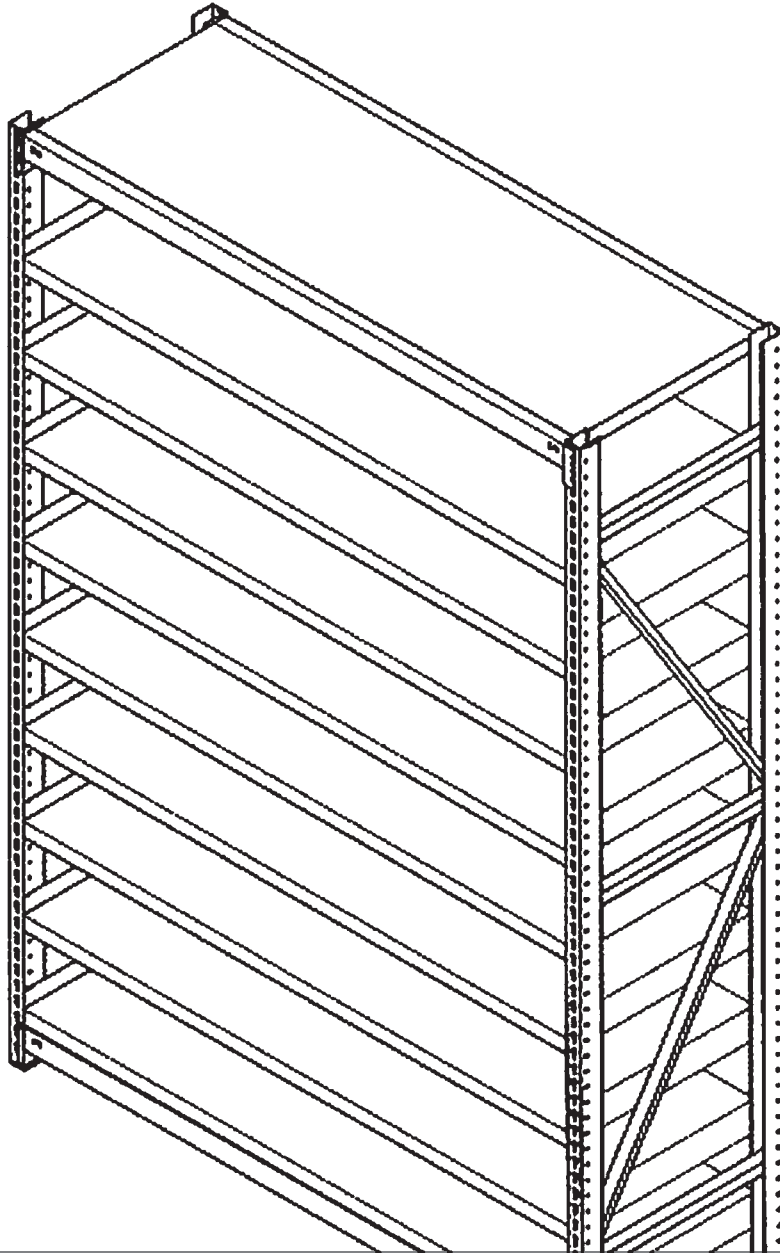
- a) Heavy-duty steel construction
- b) Powder coat finish
- c) Any Spacesaver color
- d) Shelf levels adjustable on 3" centers vertically
- e) Galvanized Planks 6" wide provides extra strength shelf surface
- f) Five-year guarantee on design, materials, and workmanship

### Applications:

Art, Historical and Natural History Museums

# CLIP TYPE

## MUSEUM GRADE SHELVING



### Applications:

- Art, Historical and Natural History Collections

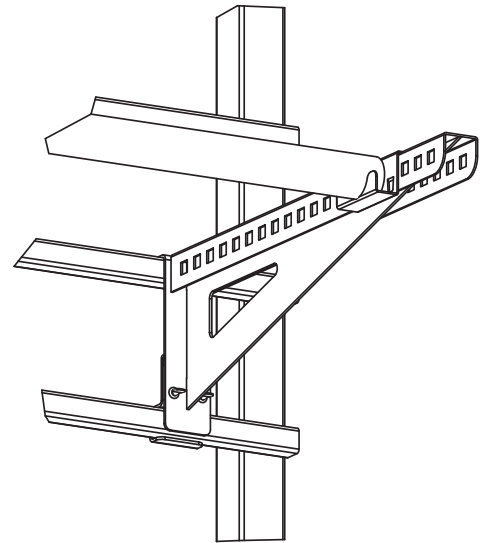
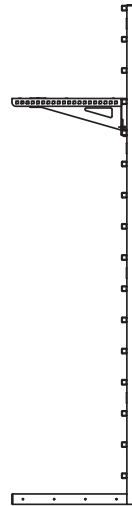
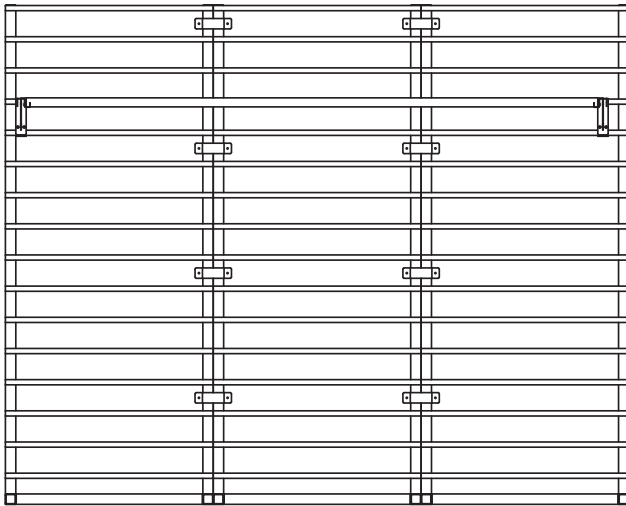
*Custom sizes available*

### Notes:

Wide Span Shelf Units above cabinets are for light weight object.  
Powder coat paint finished.

# ROLLED TEXTILE

## LONG ITEM STORAGE RACK UNITS



### Storage

Rolled Textiles  
Other Long Item Storage

### Standard Sizes

Up to 40' (feet) W x 120" H  
Single Face: Up to 24" D  
Double Face: Up to 48" D

### Notes

To provide quotation, the quantity, length, and diameter of rolled textiles is required. Also, the proposed layout for the Cantilever Textile Rack.

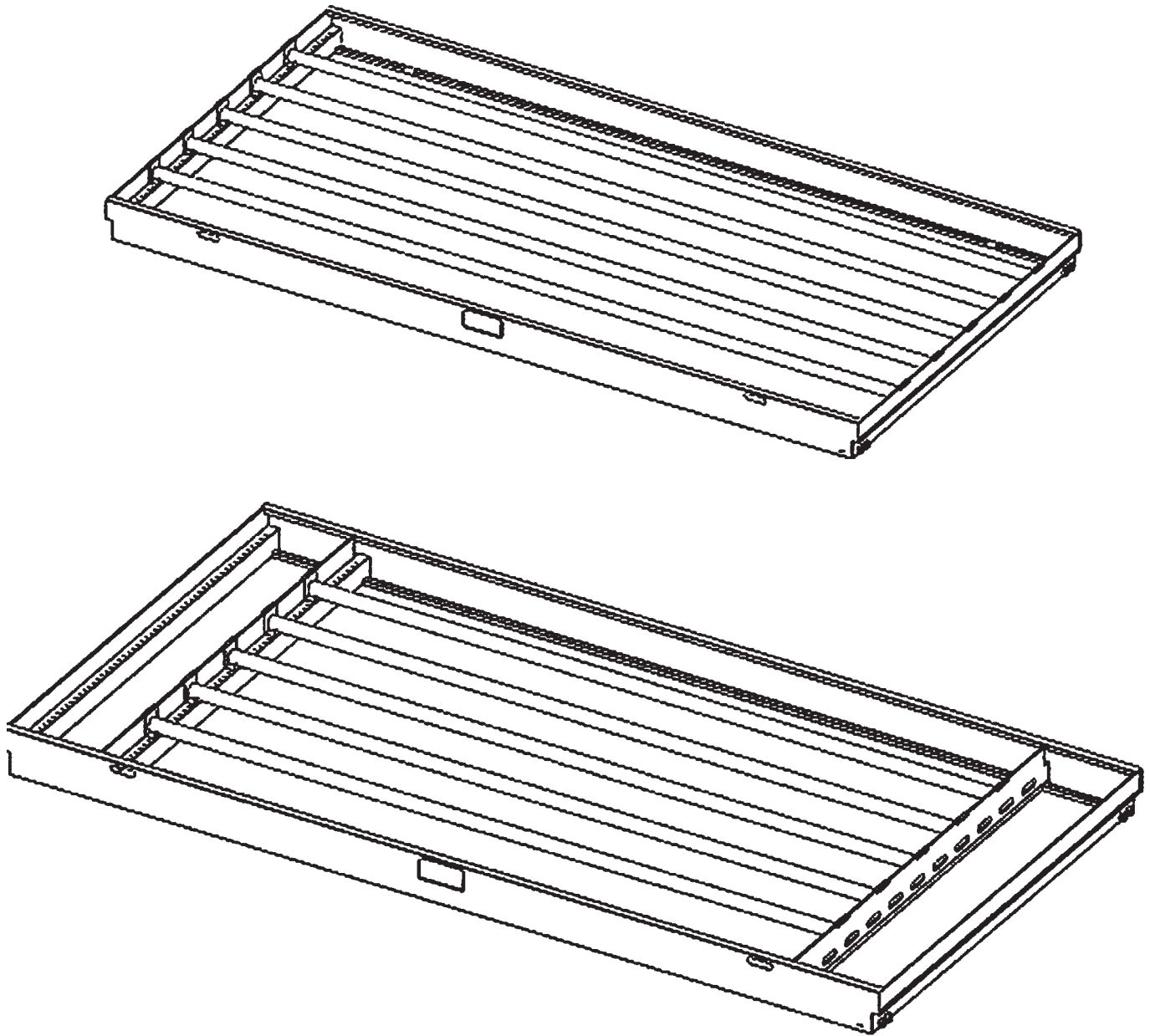
*Custom sizes available*

### Features

- a) Heavy-duty steel construction.
- b) Powder coat finish.
- c) Any Spacesaver color.
- d) Rolled Textiles may be stored on each 6" horizontal level. Diameter of the rolled textile dictates the quantity of horizontal levels that can be used within the Cantilever Rack.
- e) Cantilever Arm adjustable left to right along the entire system. This allows the storage of rolled textiles from 2 foot long to 20 foot long.
- f) A metal tube is provided to be inserted within the acid free cardboard tube. The metal tube rests within brackets on the cantilever arms.
- g) Tube brackets adjustable front to back in 1" centers on cantilever arm.
- h) Five-year guarantee on design, materials, and workmanship.

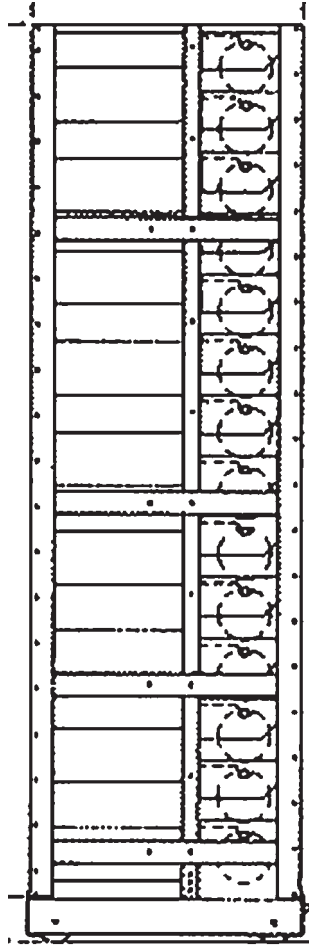
# FLEXIBILITY IN MUSEUMS

## ROLLED TEXTILE DRAWERS



# FLEXIBILITY IN MUSEUMS

## TEXTILE CANTILEVER



### Applications:

- Rolled Textiles
- Maps

# FLEXIBILITY IN MUSEUMS

## OTHER CREATIVE SOLUTIONS

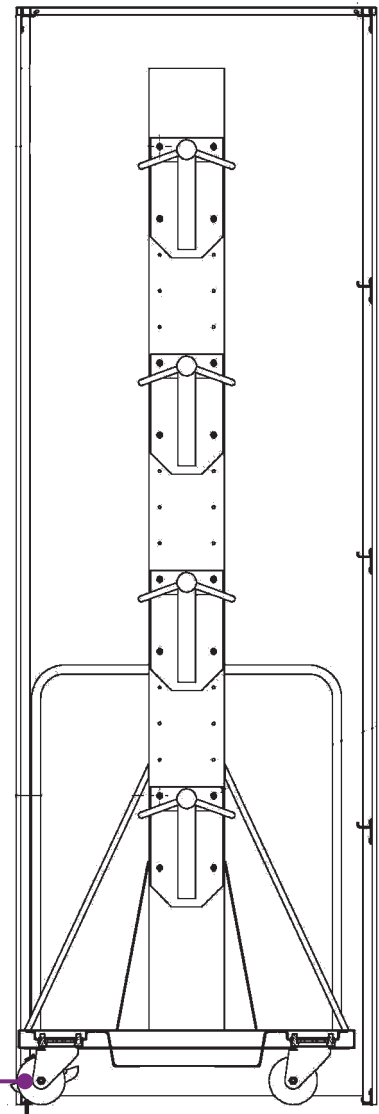
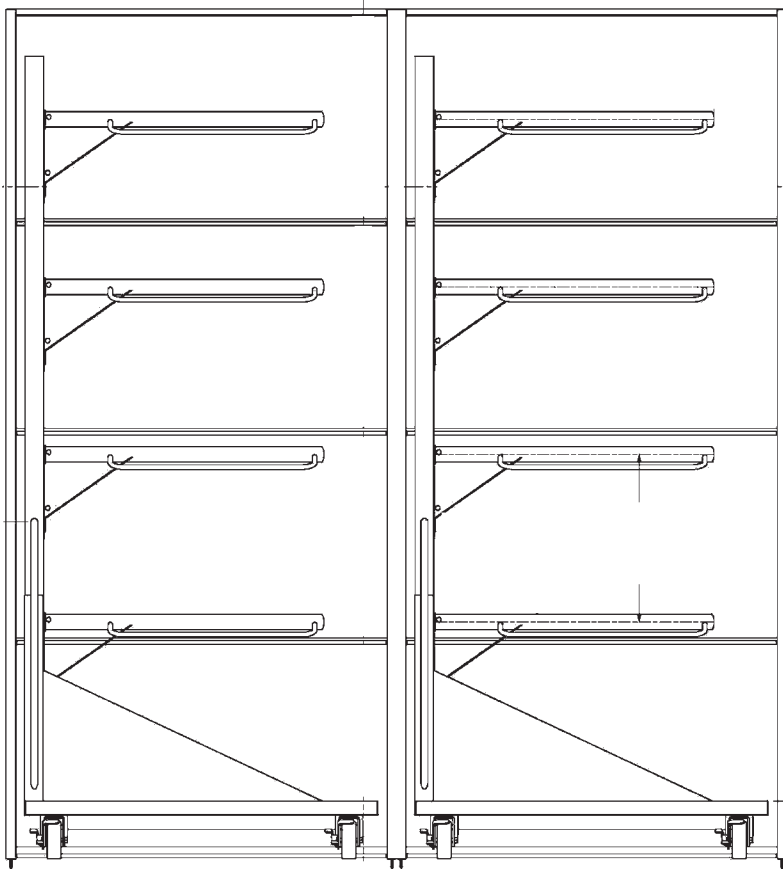
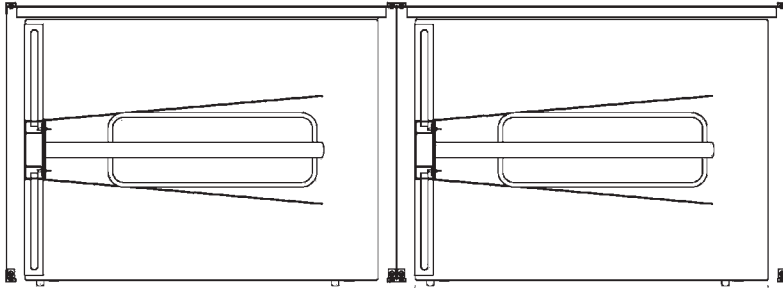


### Flexible Configurations

- Doors (Sealed and Non-Sealed)
- Drawers
- Trays
- Special Heights/Depths/Widths
- Wide Span, Pallet Rack, Clip Type or 4-Post

# FLEXIBILITY IN MUSEUMS

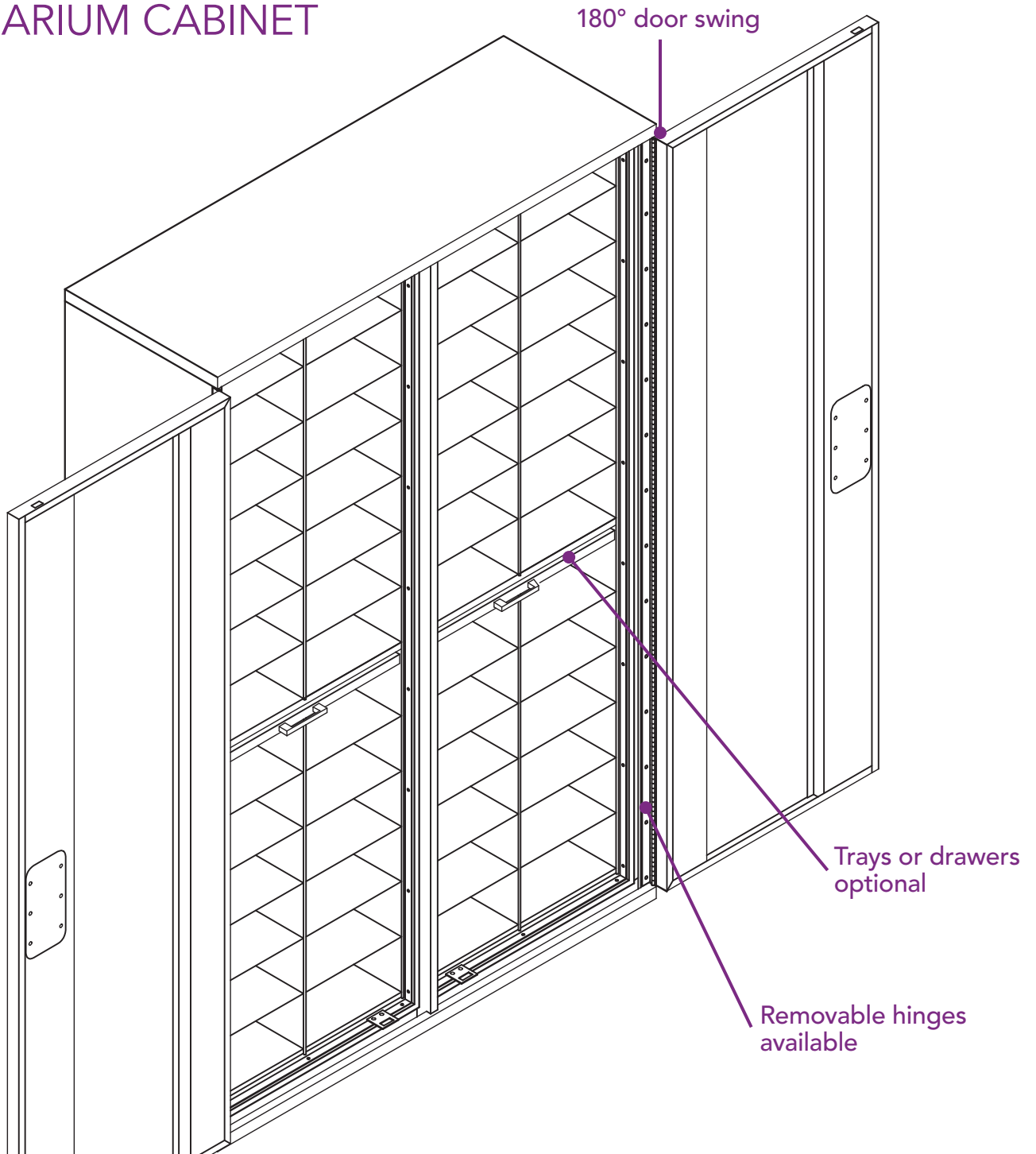
## SADDLE STORAGE



Wheels optional

# FLEXIBILITY IN MUSEUMS

## HERBARIUM CABINET



### Applications:

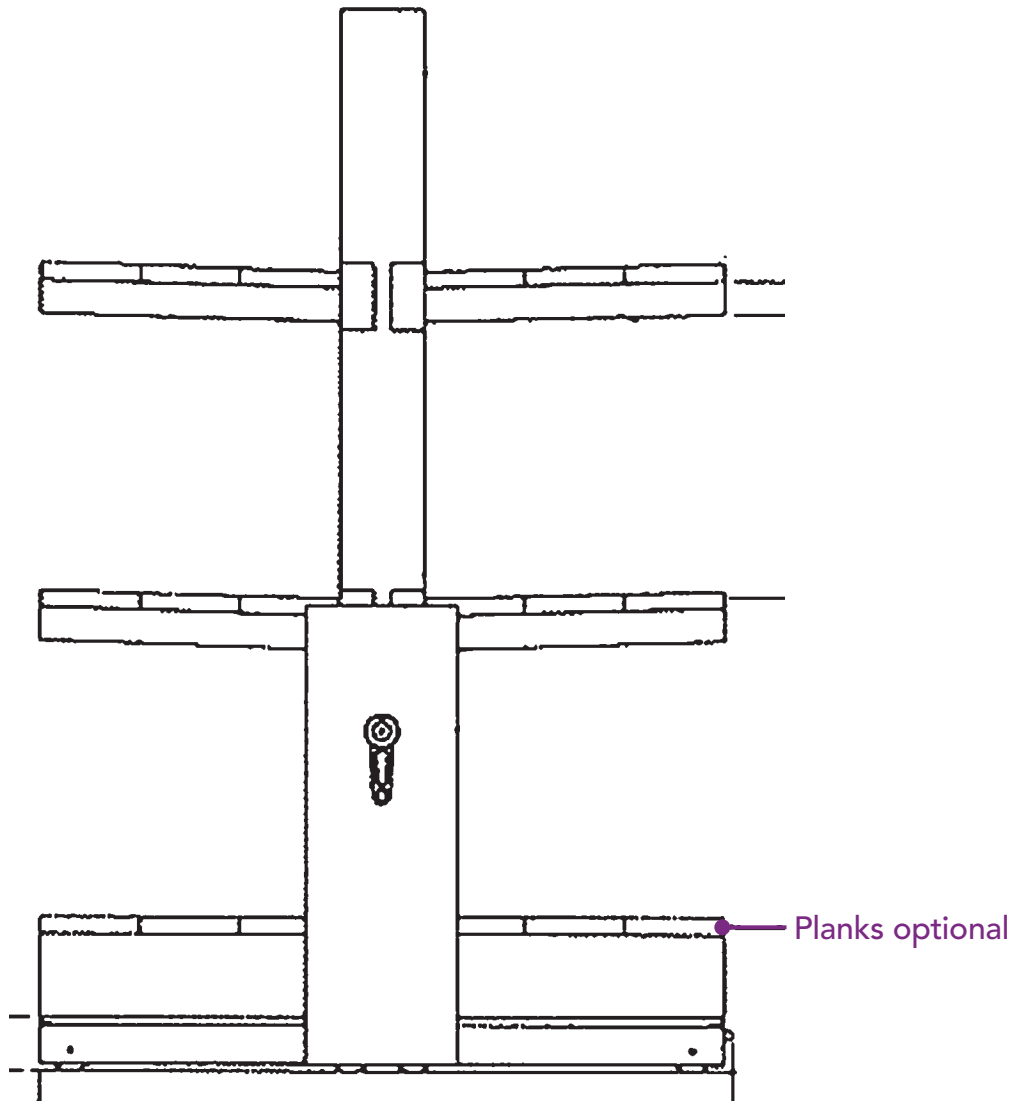
- Botany Folder Storage

*Custom sizes available*



# FLEXIBILITY IN MUSEUMS

## OVERSIZE STORAGE ON MOBILE



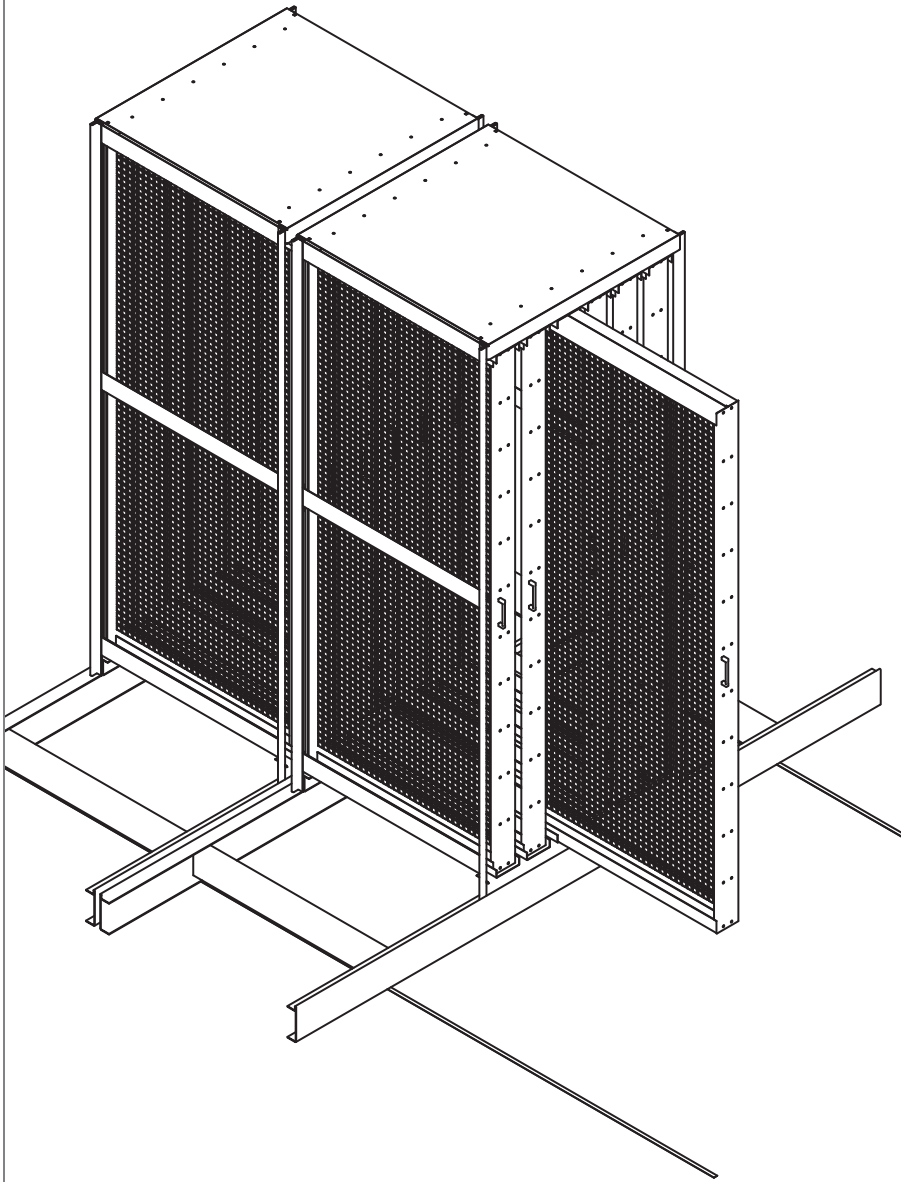
### Applications:

- Oversize Storage — Canoes, etc.

*Custom sizes available*

# FLEXIBILITY IN MUSEUMS

## PULLOUT STORAGE ON MOBILE



### Applications:

- Paintings
- Canoe Paddles
- Spears
- And more

# FLEXIBILITY IN MUSEUMS

## HANG-GLIDER PRO®



Applications:

- 2-Dimensional Works of Art

*Custom sizes available*

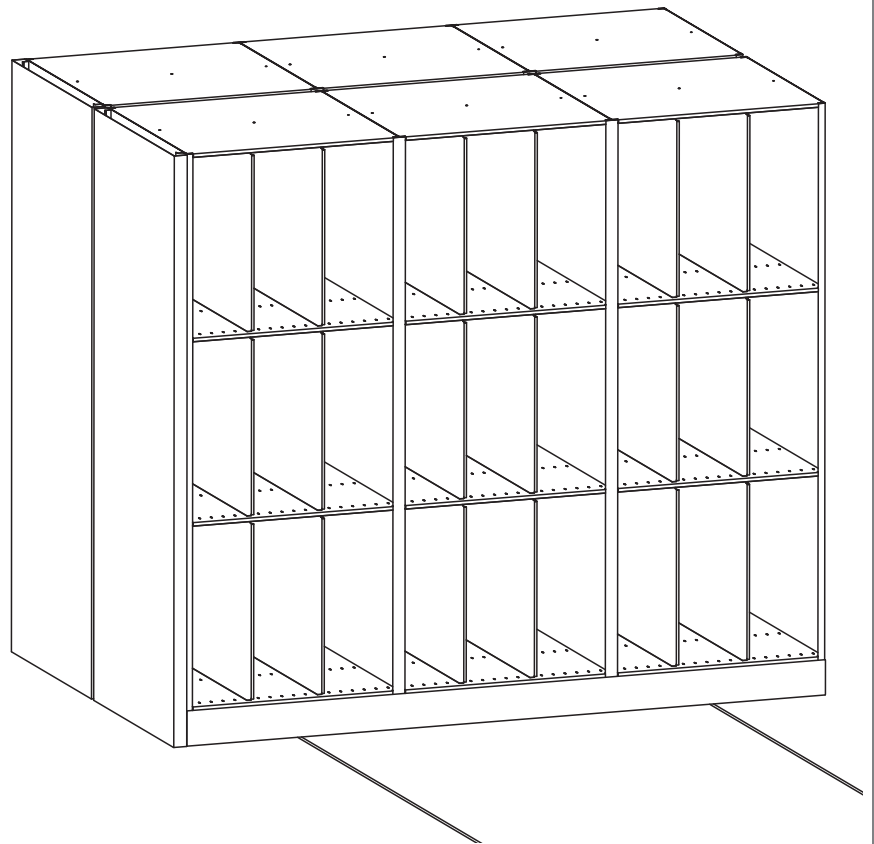
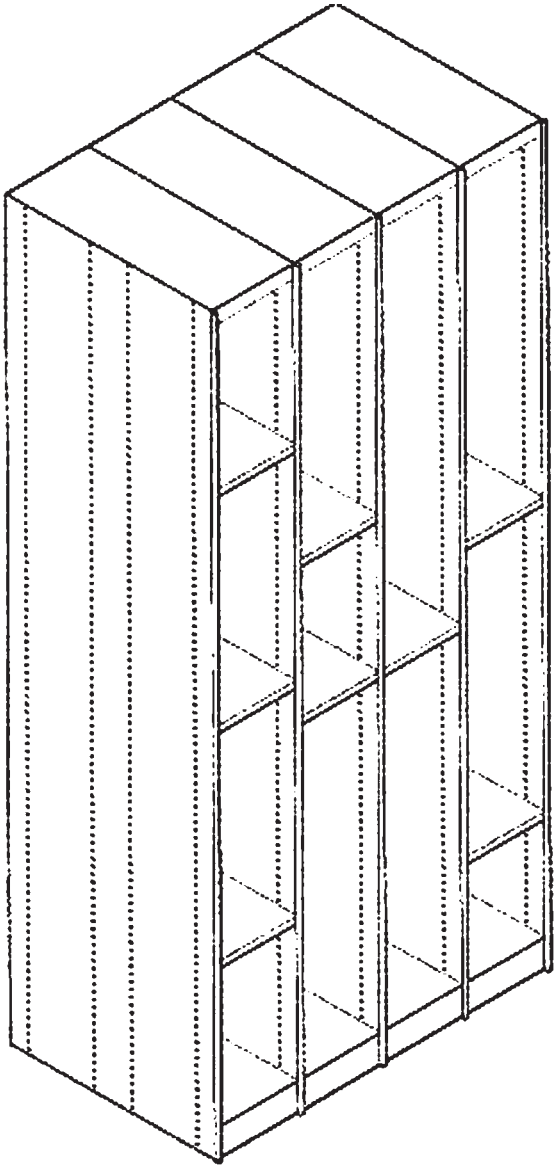
# FLEXIBILITY IN MUSEUMS

## LATERAL MOVING ART RACK



# FLEXIBILITY IN MUSEUMS

## BIN STORAGE ON MOBILE OR STATIC



### Applications:

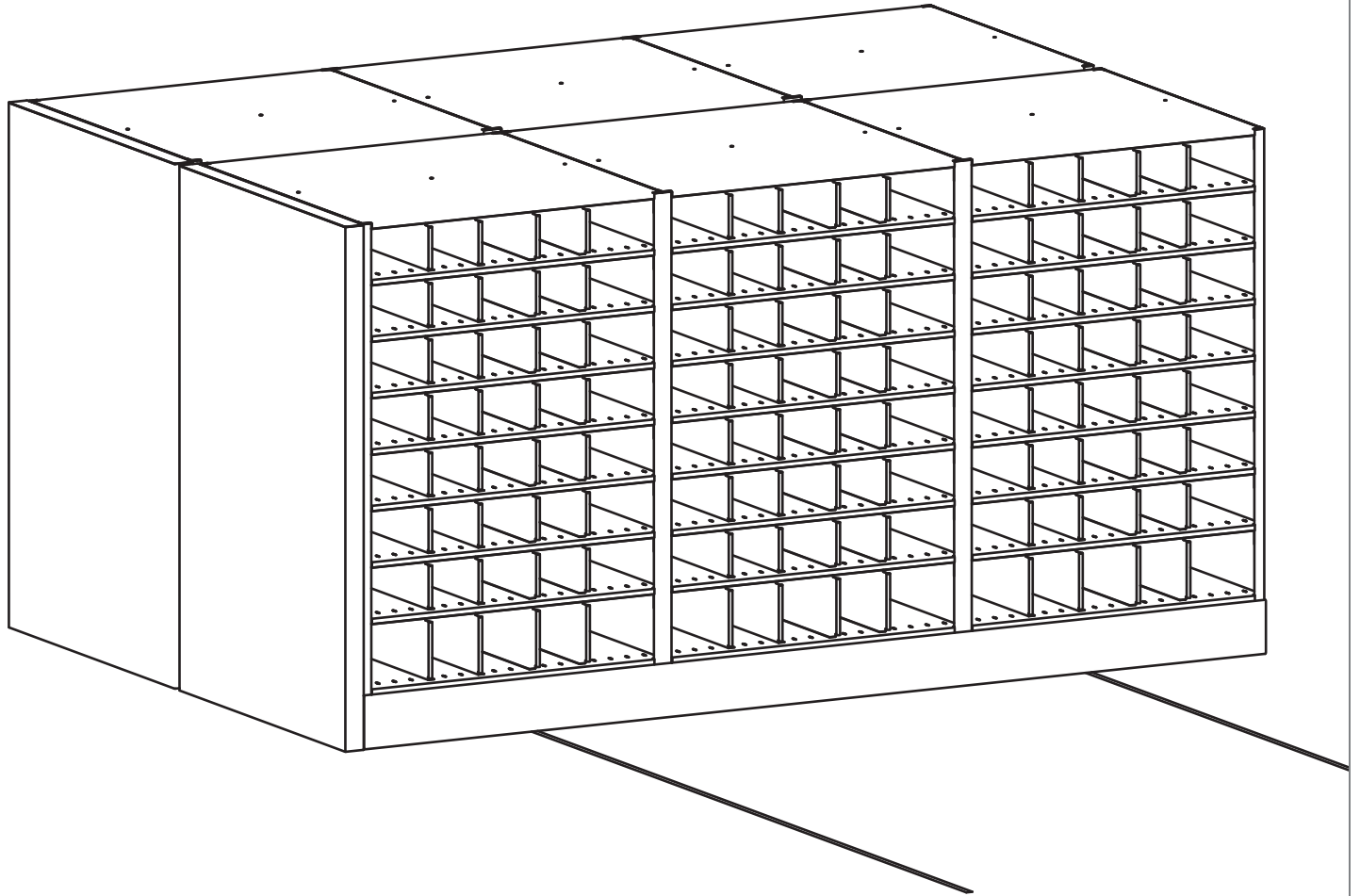
- Painting
- Rolled Maps

### Notes:

Vertical uprights are not adjustable.  
Horizontal shelves are adjustable on 2" centers vertically.

# FLEXIBILITY IN MUSEUMS

## ROLLED MAP / DRAWING BINS

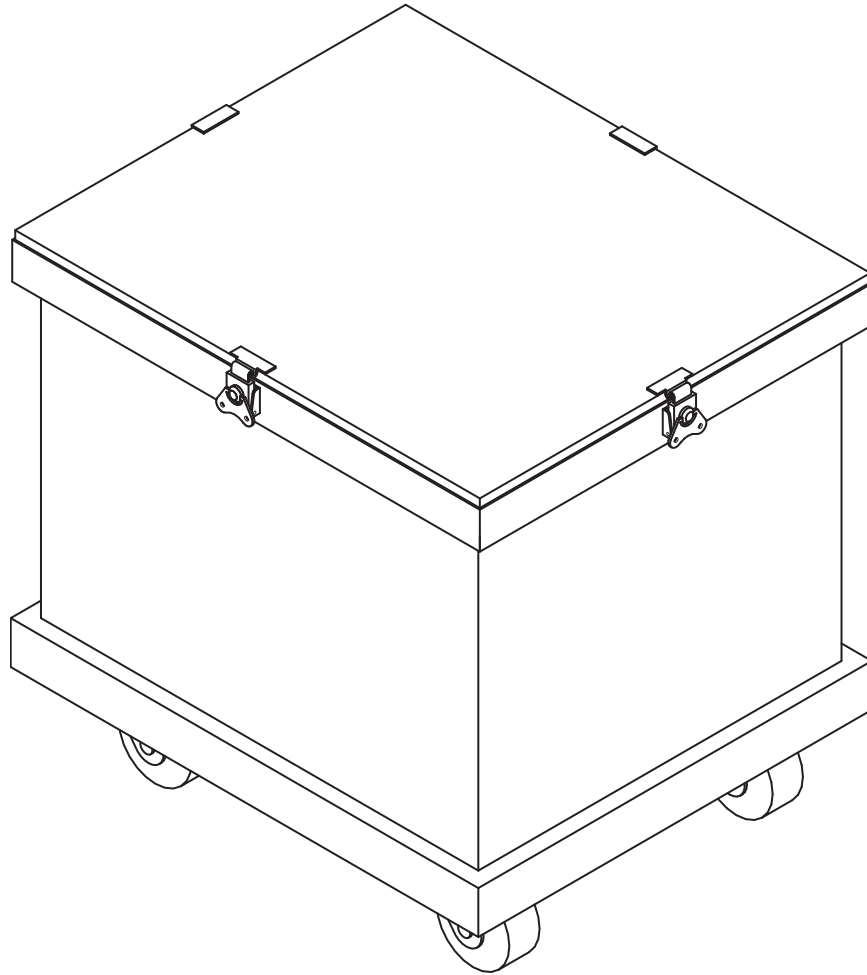


**Note:**

Total flexibility and customization available.

# FLEXIBILITY IN MUSEUMS

## TANKS & SHELF FOR TANKS



**Applications:**

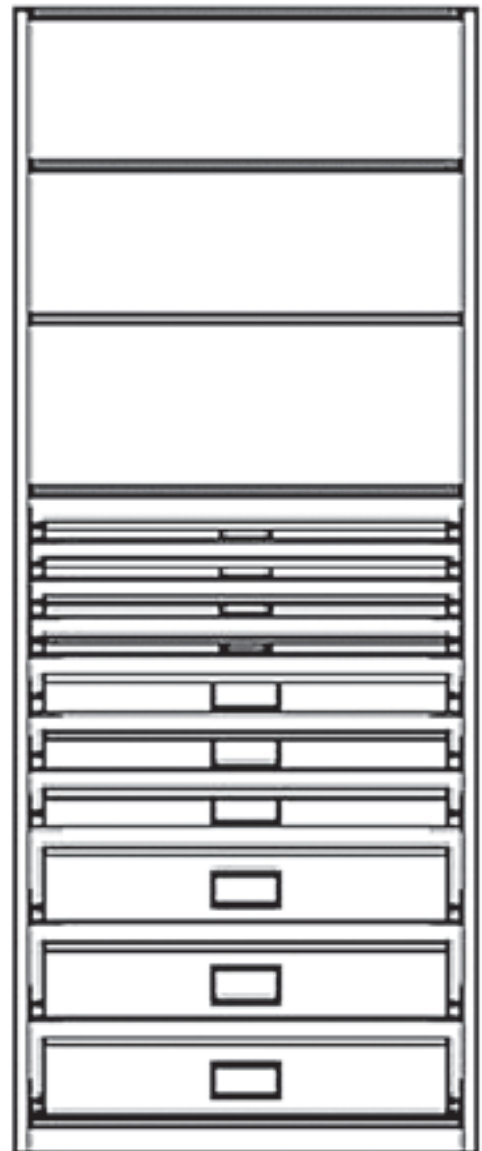
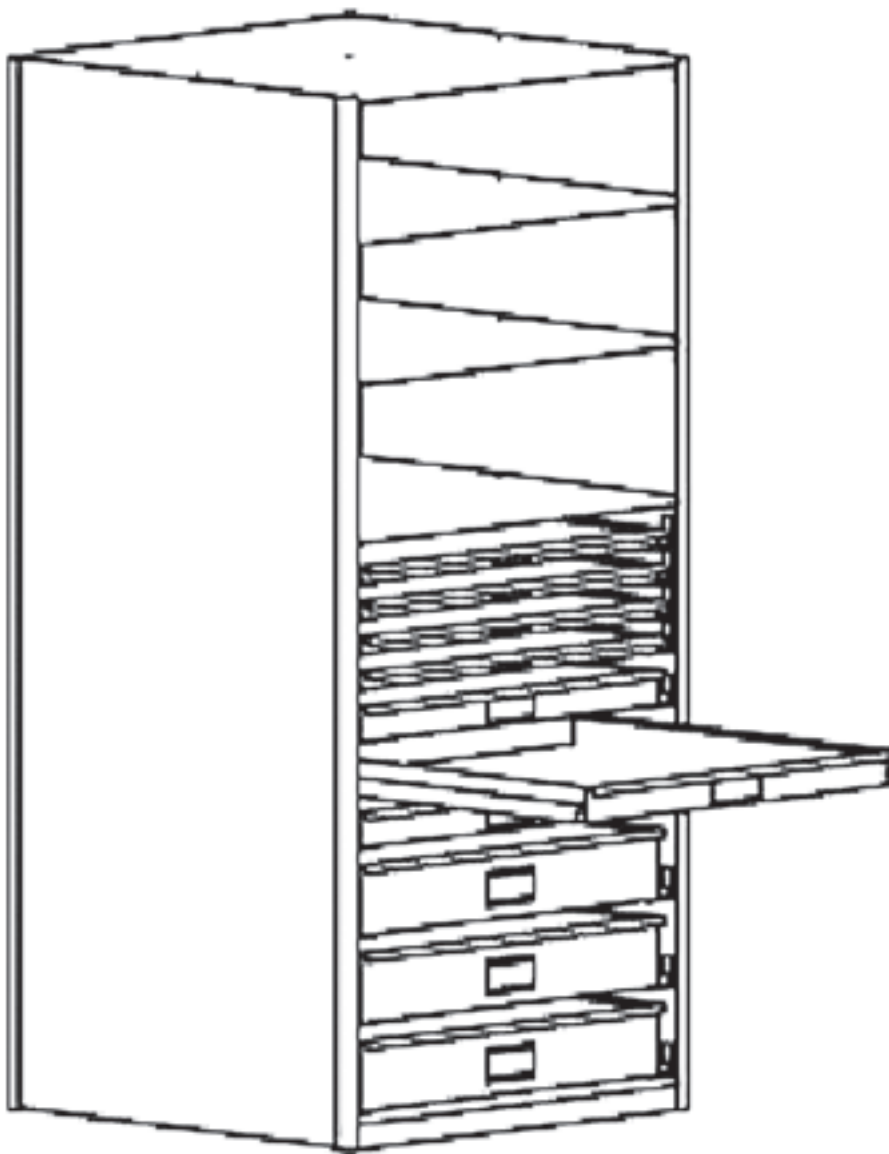
- Wet Collections

**Notes:**

Stainless steel construction.  
Weight loads up to 450 lbs.

# FLEXIBILITY IN MUSEUMS

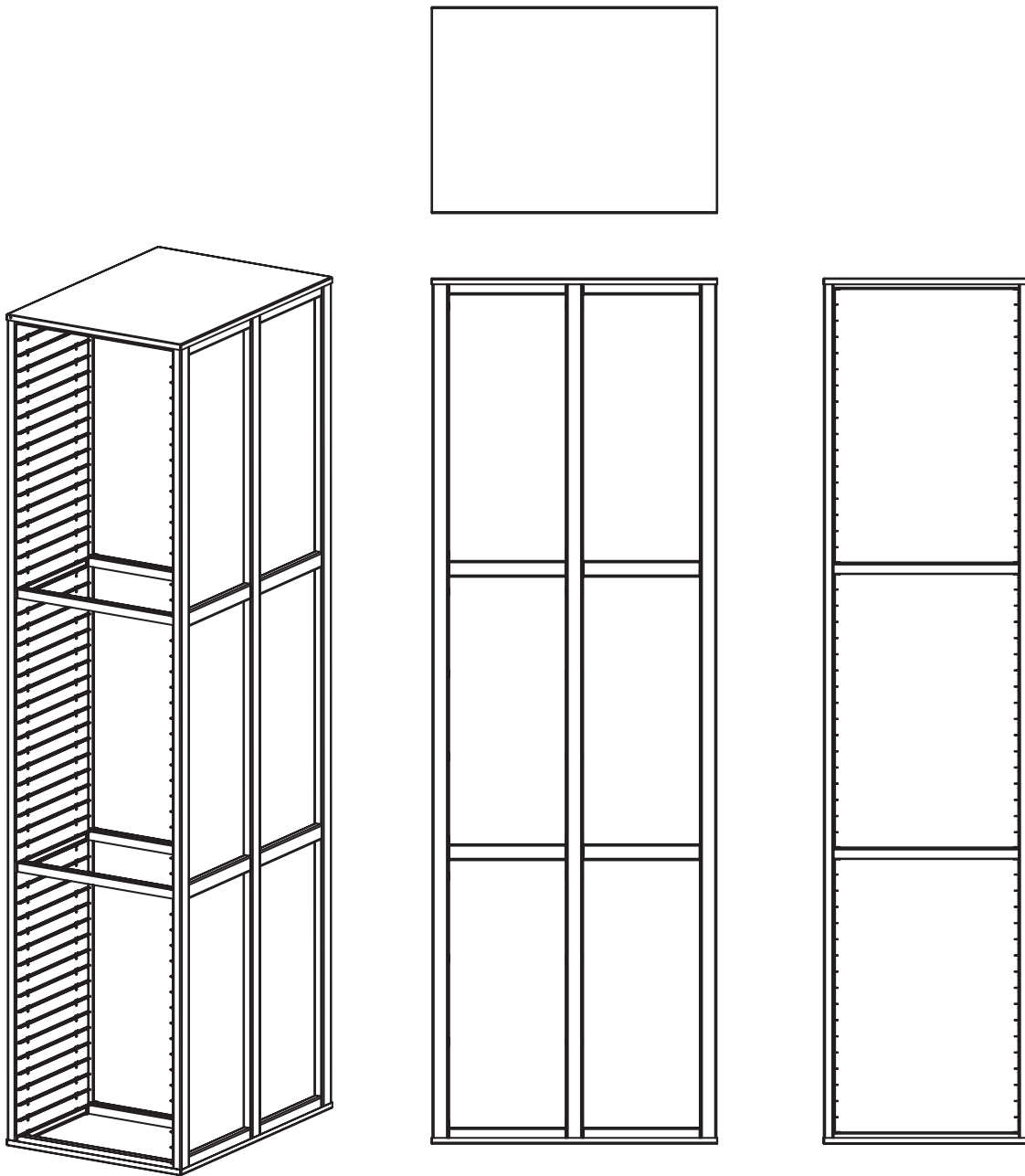
## 4-POST TRAYS





# FLEXIBILITY IN MUSEUMS

## TRAY RACKS

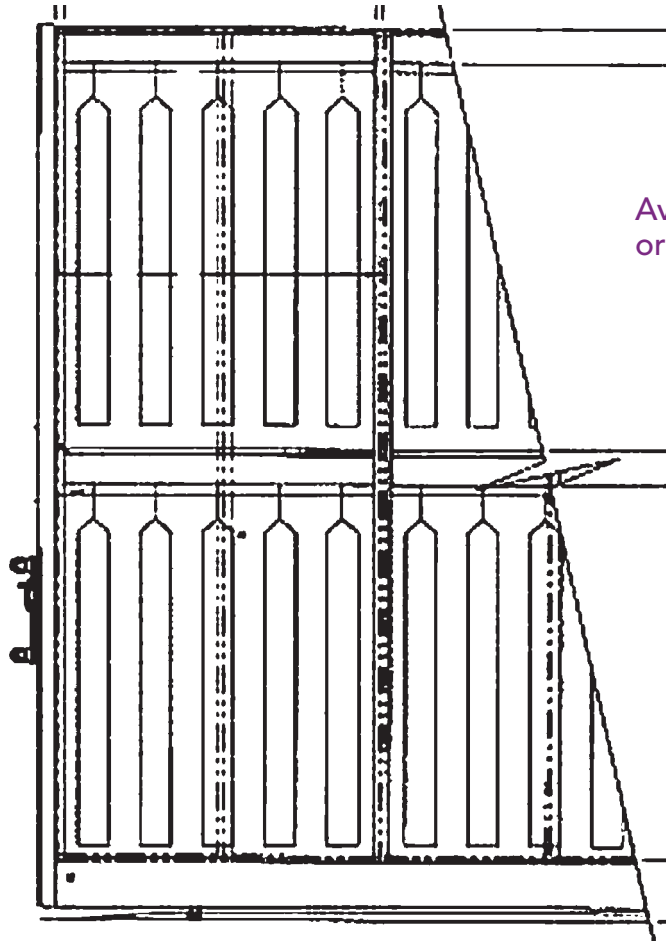


### Applications:

- Rocks and Minerals Storage

# FLEXIBILITY IN MUSEUMS

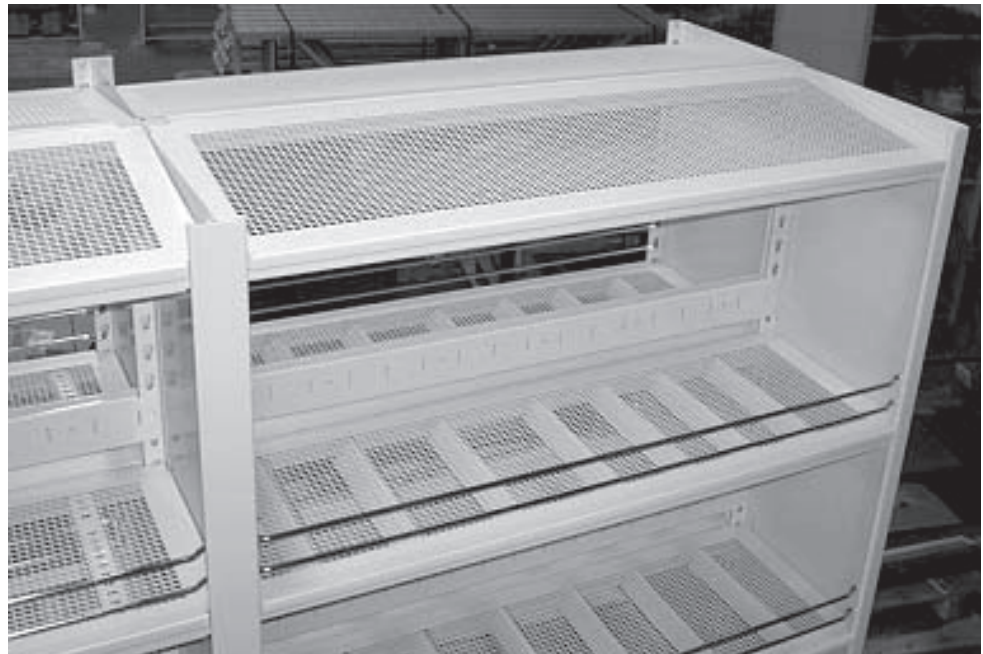
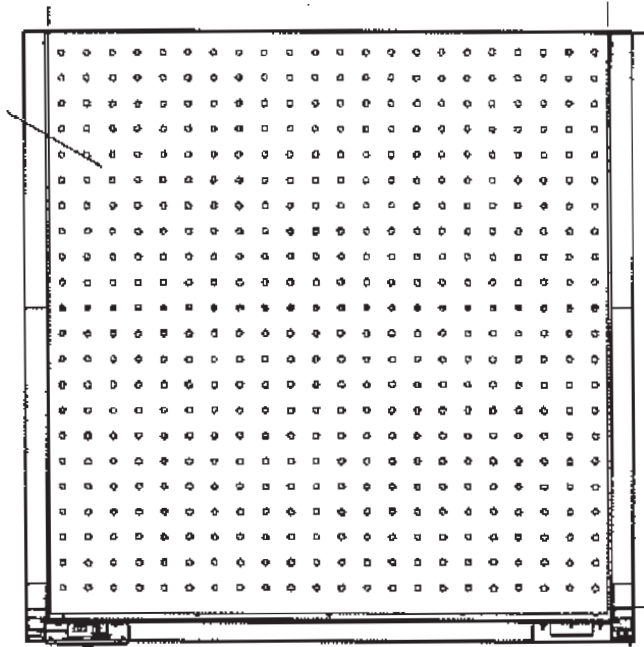
## HANGING GARMENTS



Available with doors  
or cloth cover

# FLEXIBILITY IN MUSEUMS

## PERFORATED SHELVES



### Applications:

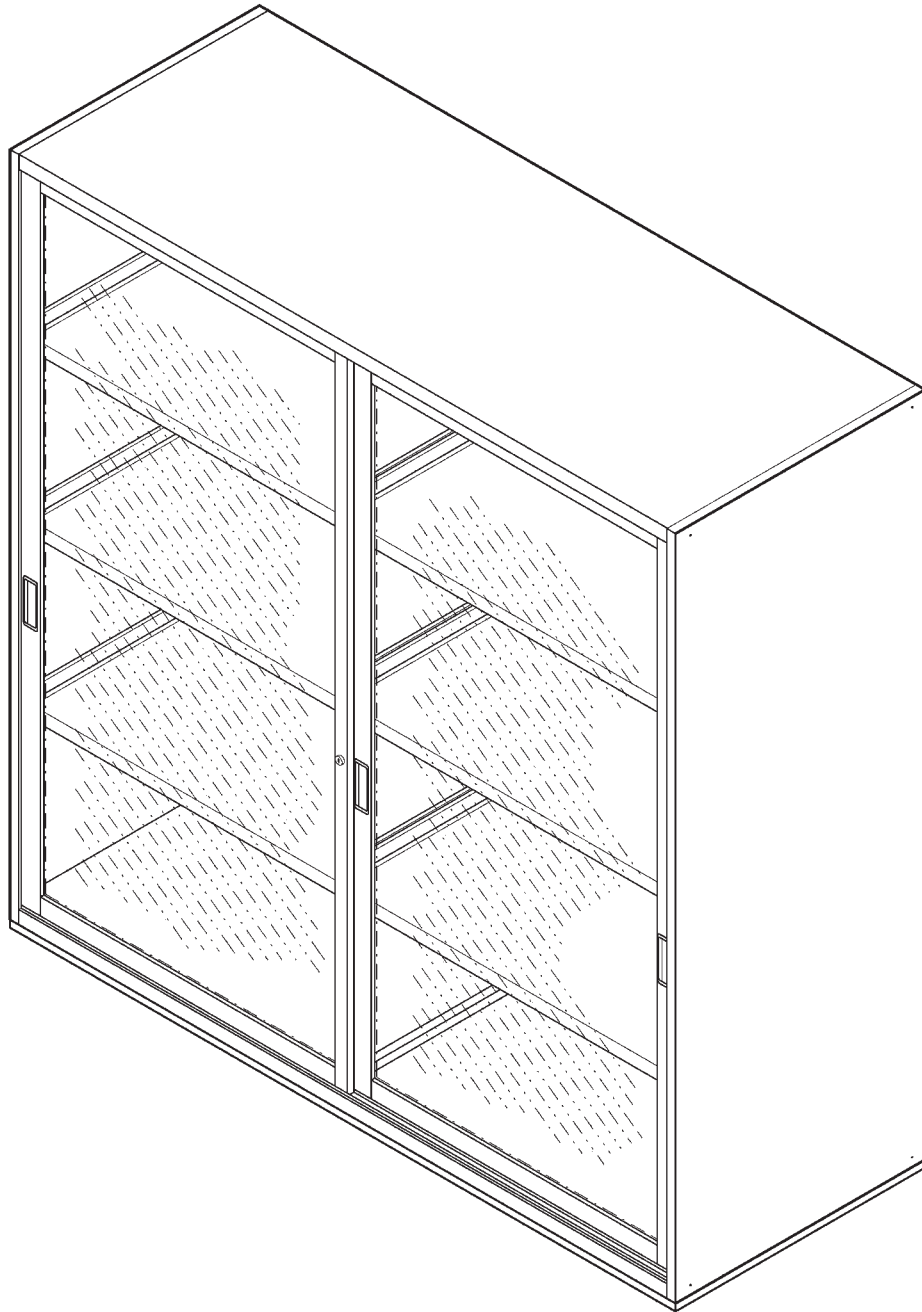
- Wet Collections
- Rare Books

### Notes:

Round or square pattern perforations available.  
Earthquake bars available.

# FLEXIBILITY IN MUSEUMS

## SLIDING GLASS DOORS ON CABINET



# PROJECT PHOTO GALLERY



Asian Art Museum | San Francisco, CA



# PROJECT PHOTO GALLERY



Asian Art Museum | San Francisco, CA



# PROJECT PHOTO GALLERY



Asian Art Museum | San Francisco, CA



# PROJECT PHOTO GALLERY



The Field Museum | Chicago, IL



# PROJECT PHOTO GALLERY



The Field Museum | Chicago, IL



# PROJECT PHOTO GALLERY

The Field Museum | Chicago, IL





# PROJECT PHOTO GALLERY



The Field Museum | Chicago, IL



# PROJECT PHOTO GALLERY

Peabody Museum of Natural History at Yale University | New Haven, CT





# PROJECT PHOTO GALLERY



Peabody Museum of Natural History at Yale University | New Haven, CT



# PROJECT PHOTO GALLERY



Peabody Museum of Natural History at Yale University | New Haven, CT





# PROJECT PHOTO GALLERY



Peabody Museum of Natural History at Yale University | New Haven, CT

# PROJECT PHOTO GALLERY



Canadian War Museum | Ottawa, Ontario, Canada



# PROJECT PHOTO GALLERY



Canadian War Museum | Ottawa, Ontario, Canada



# PROJECT PHOTO GALLERY



Canadian War Museum | Ottawa, Ontario, Canada





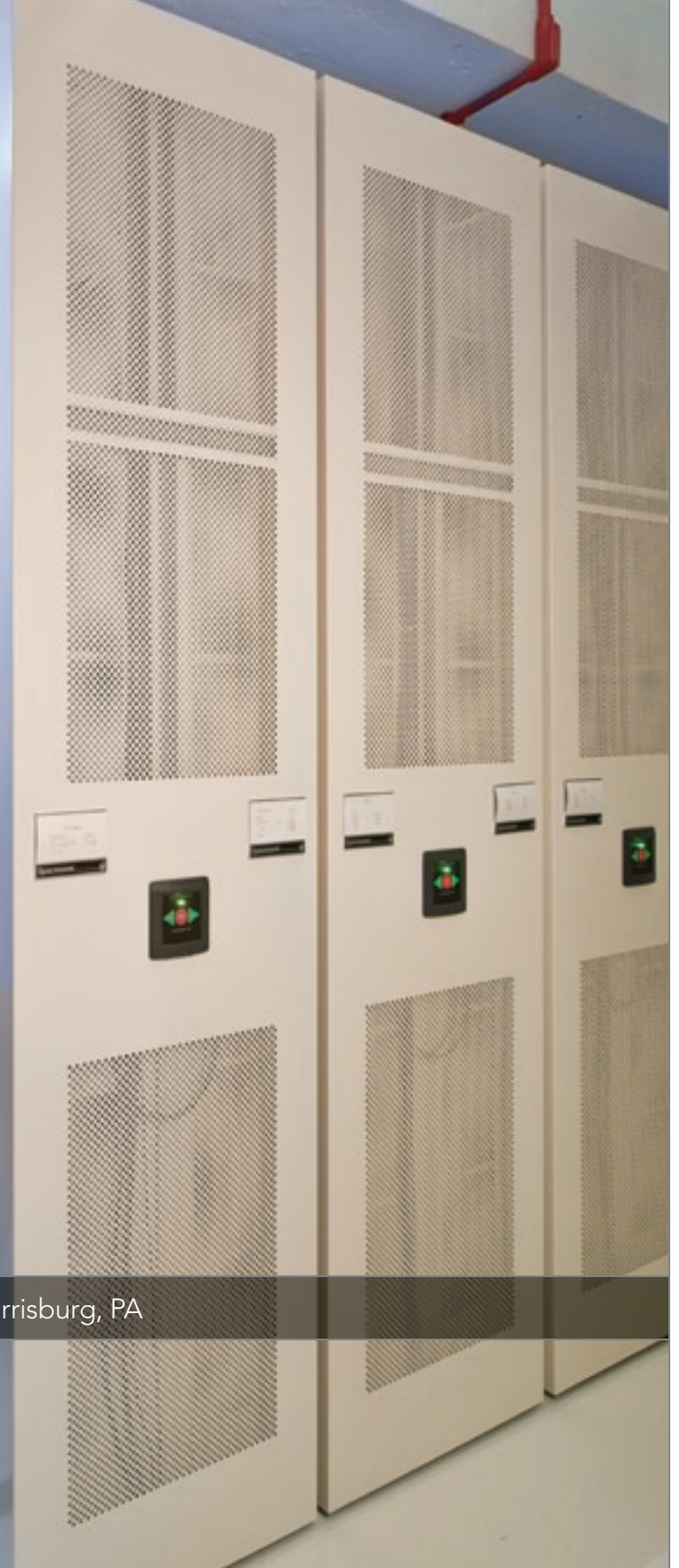
# PROJECT PHOTO GALLERY

Canadian War Museum | Ottawa, Ontario, Canada





# PROJECT PHOTO GALLERY



State of Pennsylvania Rare Books / Archives | Harrisburg, PA



# PROJECT PHOTO GALLERY



State of Pennsylvania Rare Books / Archives | Harrisburg, PA



# PROJECT PHOTO GALLERY

State of Pennsylvania Rare Books / Archives | Harrisburg, PA





**Stan Ruitter**

Museum Storage Specialist  
503-612-2610 (o) | 360-901-9962 (c)  
stan.ruitter@storageplanning.com

[www.storageplanning.com](http://www.storageplanning.com)

**Spacesaver**   
**Specialists, Inc.**

Your Storage Planning & Equipment Source

9730 SW Herman Road Tualatin, Oregon 97062  
main 503.612.2600 fax 503.612.2614